

PRODUCT INFORMATION PACKET



Model No: M6K17FK50C

Catalog No: 116703.00

1.5HP..1725RPM.56H.TEFC./V.1PH.60HZ.CONT.MANUAL.40C.1.15SF.RIGID C.PRESSURE
WASHER.M6K17FK50C

Totally Enclosed Fan Cooled (TEFC)



Regal and Leeson are trademarks of Regal Beloit Corporation or one of its affiliated companies.

©2018 Regal Beloit Corporation, All Rights Reserved. MC017097E





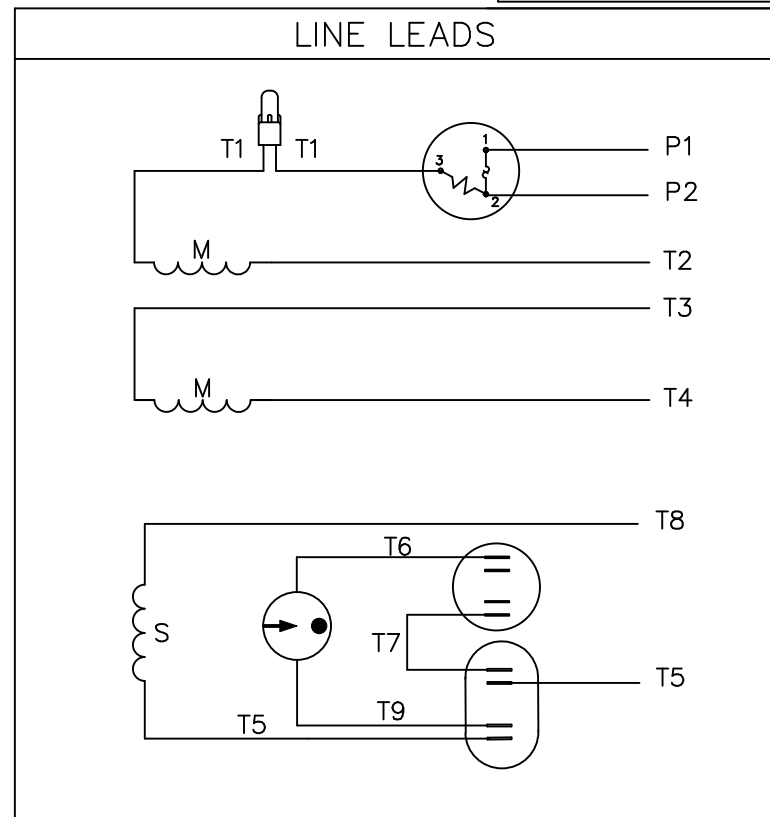
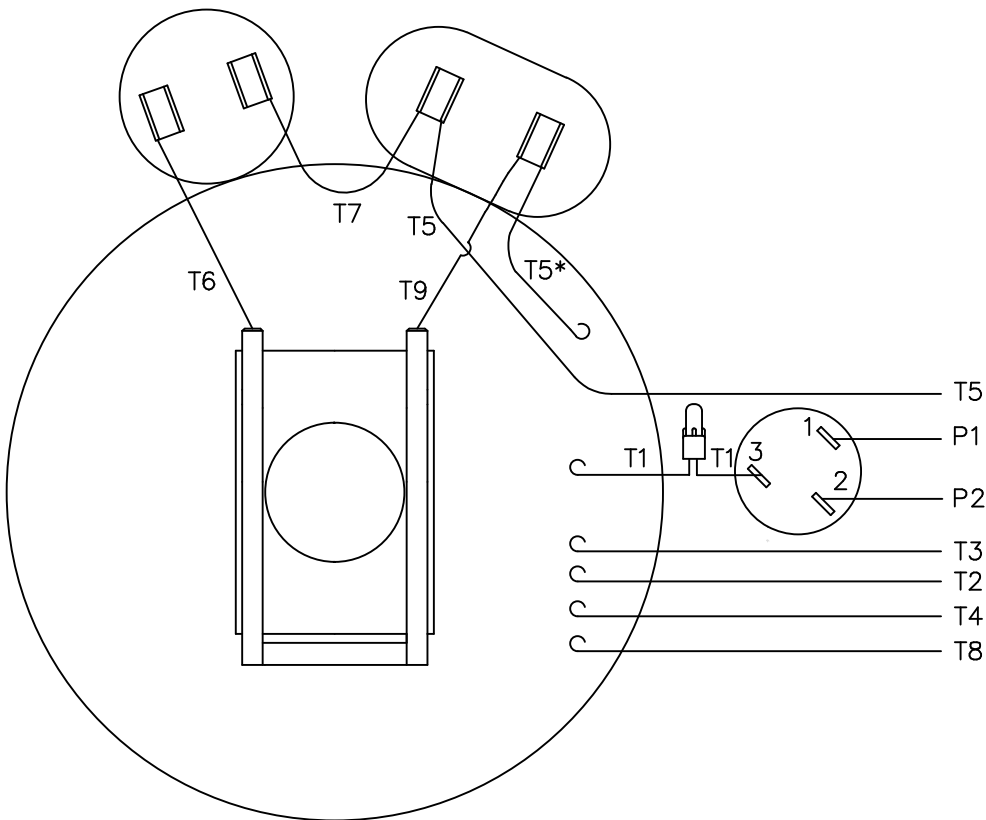
Nameplate Specifications

Output HP	1.50 Hp	Output KW	1.1 kW
Frequency	60 Hz	Voltage	115/208-230 V
Current	17.2/8.8-8.6 A	Speed	1725 rpm
Service Factor	1.15	Phase	1
Efficiency	79 %	Duty	Continuous
Insulation Class	F	Design Code	L
KVA Code	J	Frame	56HC
Enclosure	Totally Enclosed Fan Cooled	Overload Protector	Manual
Ambient Temperature	40 °C	Drive End Bearing Size	6205
Opp Drive End Bearing Size	6203	UL	Recognized
CSA	Y	CE	N
IP Code	54		

Technical Specifications

Electrical Type	Capacitor Start Capacitor Run	Starting Method	Across The Line
Poles	4	Rotation	Selective Counterclockwise
Mounting	Rigid base	Motor Orientation	HORIZONTAL
Drive End Bearing	BALL	Opp Drive End Bearing	BALL
Frame Material	Rolled Steel	Shaft Type	NEMA 56
Overall Length	13.37 in	Frame Length	7.50 in
Shaft Diameter	0.625 in	Shaft Extension	1.88 in
Assembly/Box Mounting	F1 ONLY		
Outline Drawing	028907-750B	Connection Diagram	005053.02

VIEW FROM OUTSIDE OF MOTOR AT SWITCH END.



	ROTATION FACING LEAD END	L1	L2	JOIN	INSULATE SEPARATELY
HIGH VOLT	C.C.W.	P1	T4 T5	T2,T3 T8	P2
	C.W.	P1	T4 T8	T2,T3 T5	P2
LOW VOLT	C.C.W.	P1	T2,T4 T5	P2,T3 T8	-----
	C.W.	P1	T2,T4 T8	P2,T3 T5	-----

* THIS LEAD MAY BE WHITE

		TOLERANCES UNLESS SPECIFIED	
		DEC.	INCHES
		.X	±.1
		.XX	±.01
04	ADDED "*" TO T5	RLW 7/22/02	.XXX ±.005
03	REDRAWN ON CAD	DBT 05/27/97	.XXXX ±.0005
NO.	REVISION	BY & DATE	CHK ANG ±1/2"

REGAL-BELOIT Motor Technologies Group

REGAL-BELOIT Motor Technologies Group

EXTERNAL WIRING DIAGRAM TYPE "K" W/PROTECTOR

DECAL 004011

FINISH	CAD FILE	00505302	SIZE	DRAWING NO.	REV.
RFP	DIST		A	005053-02	04

DRAWN ADH 06/16/76
CHK WRK 06/30/76
APPD
SCALE 1=1
REF
FMF 6K17FB8A
PREV

